

15 kV 200 A SUREBREAK BUSHING ADAPTER ALUMINUM CONNECTION

Conforms to all Requirements of IEEE Std. 386 - Latest Revision

Ratings

Maximum Continuous Voltage.....8.3 kV Phase-to-Ground
14.4 kV Phase-to-Phase
Continuous Current.....200 A

Short-Time Current Ratings

0.17 Sec. Duration.....10,000 A rms Symmetrical
3.00 Sec. Duration.....3,500 A rms Symmetrical

Insulation Withstand Voltages

Basic Impulse Level.....95 kV Crest (1.2 x 50 µSec. wave)
60 Hz (60 Sec.).....34 kV rms
Partial Discharge Extinction Voltage (5 pC).....11 kV rms

Switching

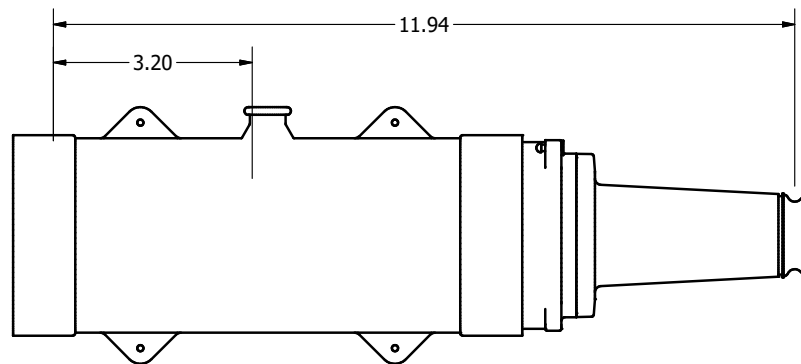
1-Phase & 3-Phase Circuits 8.3 kV Phase-to-Ground, 14.4 kV maximum across the open contacts. 10 make/break operations at 200 A with 0.70-0.80 lagging power factor.


Fault Closure

One Fault-Close Operation at max 8.3 kV Phase-to-Ground, or max 14.4 kV Phase-to-Phase; max 10,000 A rms Symmetrical, 10 Cycles (0.17 Sec.).

Production Tests

100% factory tested for Partial Discharge and either AC 60 Hz (34 kV for 60 Sec.) or Impulse (BIL) (95kV 1.2 x 50 µSec. wave). Test Point Verification Performed.



<p>CONTENTS ARE CONFIDENTIAL AND THE EXCLUSIVE PROPERTY OF HUBBELL POWER SYSTEMS. NO PUBLICATION, DISTRIBUTION OR COPIES MAY BE MADE WITHOUT THE WRITTEN CONSENT OF HUBBELL POWER SYSTEMS. HUBBELL POWER SYSTEMS UNPUBLISHED ALL RIGHTS RESERVED UNDER THE COPYRIGHT LAWS.</p>				HUBBELL POWER SYSTEMS, Inc.	
		TITLE 15kV BUSHING ADAPTER ALUMINUM CONNECTION			
REV DATE	10/4/2023	SIZE	DWG NO.	CAT / PART / ASSY NO.	REV
		SB	---	615BAS	0
		DO NOT SCALE THIS DRAWING		DRN BY BvB	DATE 10/4/2023 SHEET 1 OF 1